

Actual Product Size Shown



Product Features

100 mV/in/sec, (4 mV/mm/sec) Sensitivity

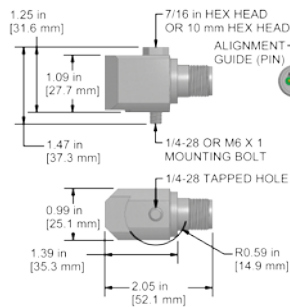
1,5 - 7000 Hz (90 - 420,000 CPM) Frequency Response

- ± 50 in/sec, Peak Dynamic Range
- 2 Pin MIL Connection
- Integrates to Velocity in the Sensor

VE102-1D

2 Pin Connector

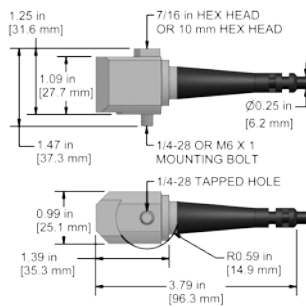
Connector Pin	Polarity
A	(+) Signal/Power
B	(-) Common



VE102-2D

Integral Cable

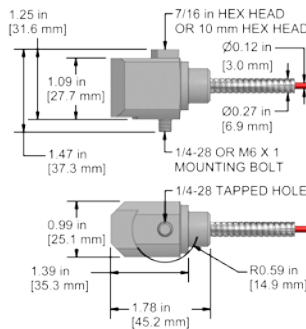
Conductor	Polarity
Red	(+) Signal/Power
Black	(-) Common
Shield	Cable Drain Wire



VE102-3D

Armored Integral Cable

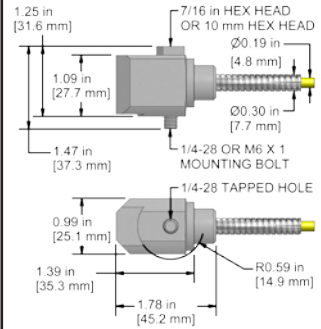
Conductor	Polarity
Red	(+) Signal/Power
Black	(-) Common
Shield	Cable Drain Wire



VE102-6D

Heavy Duty Armored Integral Cable

Conductor	Polarity
Red	(+) Signal/Power
Black	(-) Common
Shield	Cable Drain Wire



Specifications	Standard	Metric
Part Number	VE102	M/VE102
Sensitivity ($\pm 10\%$)	100mV/in/sec	4mV/mm/sec
Frequency Response ($\pm 3\text{dB}$)	90-420,000 CPM	1,5-7000 Hz
Frequency Response ($\pm 10\%$)	120-240,000 CPM	2,0-4000 Hz
Dynamic Range (Peak)	± 50 in/sec	± 1270 mm/sec
Electrical		
Setting Time	<4 seconds	
Voltage Source (IEPE)	18-30 VDC	
Constant Current Excitation	2-10 mA	
Spectral Noise @ 10 Hz	25 μ IPS/ $\sqrt{\text{Hz}}$	
Spectral Noise @ 100 Hz	2 μ IPS/ $\sqrt{\text{Hz}}$	
Spectral Noise @ 1000 Hz	0.5 μ IPS/ $\sqrt{\text{Hz}}$	
Output Impedance	<100 ohm	
Bias Output Voltage	10-14 VDC	
Case Isolation	>10 ⁸ ohm	

Specifications	Standard	Metric
Environmental		
Temperature Range	-58 to 250°F	-50 to 121°C
Maximum Shock Protection	5,000 g, peak	
Electromagnetic Sensitivity	CE	
Sealing	IP68	
Submersible Depth (VE102-2D/3D)	200 ft.	60 m
Physical		
Sensing Element	PZT Ceramic	
Sensing Structure	Shear Mode	
Weight	5.1 oz	145 grams
Case Material	316L Stainless Steel	
Mounting Hole	1/4-28	
Connector (non-integral)	2 Pin MIL-C-5015	
Resonant Frequency	1,320,000 CPM	22000 Hz
Mounting Torque	2 to 5 ft. lbs.	2.7 to 6.8 Nm
Mounting Hardware	1/4-28 Captive Bolt	M6x1 Captive Bolt
Calibration Certificate	CA10	

Ordering Information

Standard	VE102-1D	VE102-2D - /	VE102-3D - /	VE102-6D - /
	(1/4-28 Captive Bolt)	(1/4-28 Captive Bolt)	(1/4-28 Captive Bolt)	(1/4-28 Captive Bolt)
		<input type="text"/> (length in feet) <input type="text"/> (termination)	<input type="text"/> (maximum armor length 100 ft.) / <input type="text"/> (cable length in feet) <input type="text"/> (termination)	<input type="text"/> (maximum armor length 20 ft.) / <input type="text"/> (cable length in feet) <input type="text"/> (termination)
Metric	M/VE102-1D (M6x1 Captive Bolt)	M/VE102-2D - / (M6x1 Captive Bolt)	M/VE102-3D - / (M6x1 Captive Bolt)	M/VE102-6D - / (M6x1 Captive Bolt)
		<input type="text"/> (length in feet) <input type="text"/> (termination)	<input type="text"/> (maximum armor length 100 ft.) / <input type="text"/> (cable length in feet) <input type="text"/> (termination)	<input type="text"/> (maximum armor length 20 ft.) / <input type="text"/> (cable length in feet) <input type="text"/> (termination)
		<input type="text"/> (length in meters) <input type="text"/> (termination)	<input type="text"/> (maximum armor length 30 m) / <input type="text"/> (cable length in meters) <input type="text"/> (termination)	<input type="text"/> (maximum armor length 6 m) / <input type="text"/> (cable length in meters) <input type="text"/> (termination)





Actual Product Size Shown



Product Features

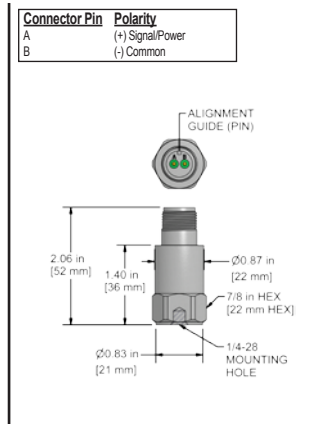
100 mV/in/sec, (4 mV/mm/sec) Sensitivity

1,5 - 12000 Hz (90 - 720,000 CPM) Frequency Response

- ± 50 in/sec, Peak Dynamic Range
- 2 Pin MIL Connection
- Integrates to Velocity in the Sensor

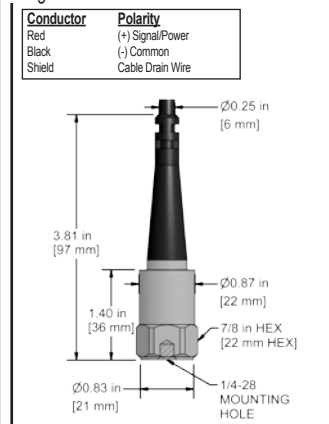
VE101-1D

2 Pin Connector



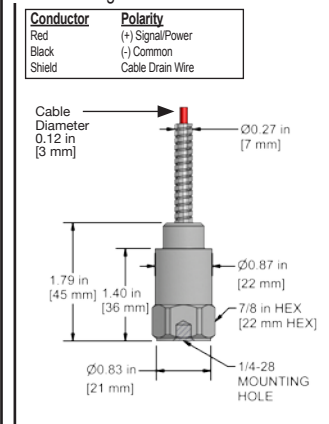
VE101-2D

Integral Cable



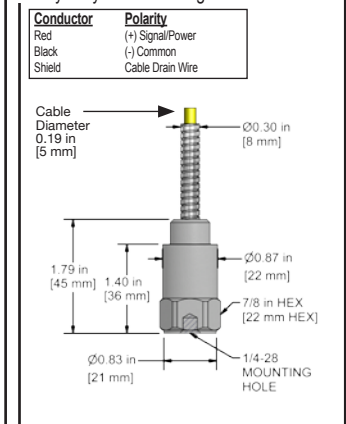
VE101-3D

Armored Integral Cable



VE101-6D

Heavy Duty Armored Integral Cable



Specifications	Standard	Metric
Part Number	VE101	M/VE101
Sensitivity ($\pm 10\%$)	100mV/in/sec	4mV/mm/sec
Frequency Response ($\pm 3dB$)	90-720,000 CPM	1,5-12000 Hz
Frequency Response ($\pm 10\%$)	120-270,000 CPM	2,0-4500 Hz
Dynamic Range (Peak)	± 50 in/sec	± 1270 mm/sec
Electrical		
Settling Time	<4 Seconds	
Voltage Source (IEPE)	18-30 VDC	
Constant Current Excitation	2-10 mA	
Spectral Noise @ 10 Hz	25 μ IPS/ \sqrt{Hz}	
Spectral Noise @ 100 Hz	2 μ IPS/ \sqrt{Hz}	
Spectral Noise @ 1000 Hz	0.5 μ IPS/ \sqrt{Hz}	
Output Impedance	<100 ohm	
Bias Output Voltage	10-14 VDC	
Case Isolation	>10 ⁸ ohm	

Specifications	Standard	Metric
Environmental		
Temperature Range	-58 to 250°F	-50 to 121°C
Maximum Shock Protection	5,000 g, peak	
Electromagnetic Sensitivity	CE	
Sealing	IP68	
Submersible Depth (VE101-2D/3D)	200 ft.	60 m
Physical		
Sensing Element	PZT Ceramic	
Sensing Structure	Shear Mode	
Weight	3.2 oz	90 grams
Case Material	316L Stainless Steel	
Mounting Hole	1/4-28	
Connector (non-integral)	2 Pin MIL-C-5015	
Resonant Frequency	1,380,000 CPM	23000 Hz
Mounting Torque	2 to 5 ft. lbs.	2,7 to 6,8 Nm
Mounting Hardware	1/4-28 Stud	M6x1 Adapter Stud
Calibration Certificate	CA10	

Ordering Information

Standard	VE101-1D (1/4-28 Stud)	VE101-2D - / (1/4-28 Stud)	VE101-3D - / (1/4-28 Stud)	VE101-6D - / (1/4-28 Stud)
		(length in feet) (termination)	(maximum armor length 100 ft.) (cable length in feet) (termination)	(maximum armor length 20 ft.) (cable length in feet) (termination)
Metric	M/VE101-1D (M6x1 Adapter Stud)	M/VE101-2D - / (M6x1 Adapter Stud)	M/VE101-3D - / (M6x1 Adapter Stud)	M/VE101-6D - / (M6x1 Adapter Stud)
		(length in meters) (termination)	(maximum armor length 30 m) (cable length in meters) (termination)	(maximum armor length 6 m) (cable length in meters) (termination)

Cable Termination Options: **E** **F** **L** **Z**

